

The inclined filter-based cleaning system allows simple, safe and efficient IN-HOUSE cleaning of various liquids, in addition to lowering your operating expenses



**G-WASH 040XS**

**Grünig**

Grünig-Interscreen AG  
Ringgenmatt 14  
CH-3150 Schwarzenburg  
Switzerland

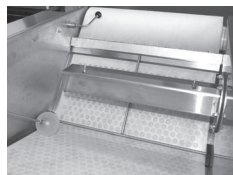
Phone +41 31 734 2600  
Fax +41 31 734 2601  
[www.grunig.ch](http://www.grunig.ch)  
[mail@grunig.ch](mailto:mail@grunig.ch)

# G-WASH 040XS

## Cleaning system based on inclined filter



Reel support



Filtering bed



Dirt wiper

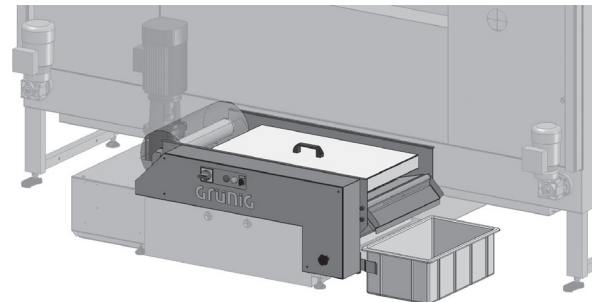


Control elements

### Particular features:

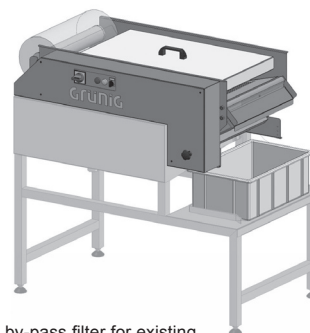
- Automatic cleaning of liquid treatment products such as:
  - Solvents with a flash point of  $>55^{\circ}\text{C}$
  - Closed-circuit de-coating product
  - Recycled water
- Efficient mechanical cleaning based on inclined filter technique and polyester filtering fleece; The following filtering fleeces are available: 2, 4, 7, 12, 25 micron
- Simple and safe IN-HOUSE cleaning of liquids
- Lowers the operating expenses while prolonging the service life; liquids such as solvents, recycled water, etc. can be used during a considerably prolonged period
- Reduced handling effort for the treatment of the liquid products
- The operating mode can be switched over between AUTOMATIC and MANUAL operation
- Very low-maintenance and user-friendly design
- In connection with the G-Wash 034 system, the inclined filter can be combined with most G-Wash equipments designed by Grünig or with already existing washing basins
- Rugged and high-quality construction of stainless steel V2A

### G-WASH 170XS



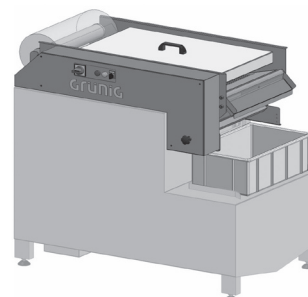
Application as an integral part of the G-Wash 170XS tank system

### G-WASH 034 A10



Application as a by-pass filter for existing tank systems or wash basins

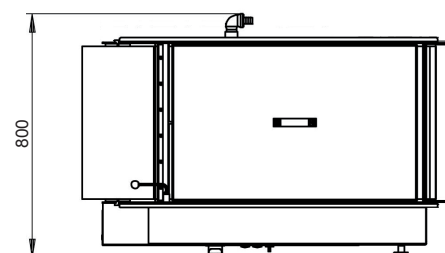
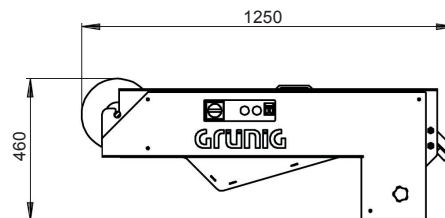
### G-WASH 034 A20



Application as a stand-alone closed-circuit tank

### Examples of application possibilities:

Sizes	Width	mm	1250
	Height	mm	460
	Depth	mm	800
Power supply	Voltage	V	1x230+N+PE 2x220+PE
	Frequency	Hz	50/60
Permanent sound pressure level		dB (A)	<75



All measures in mm



The machine is in compliance with the EU Machinery directives (EC conformity)

Technical changes are reserved

July 14